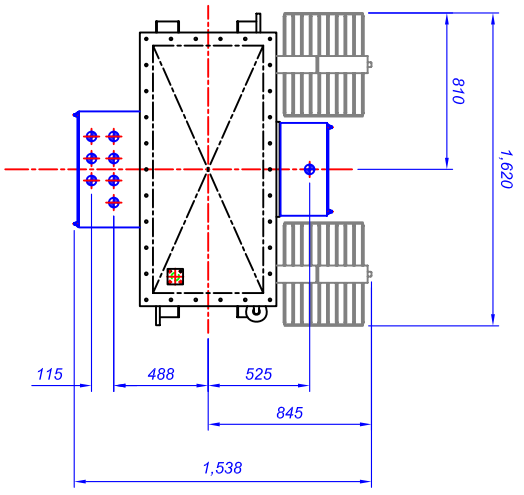


| ITEM | DESCRIPTION |
|------|--|
| 1 | HV CABLE BOX 3 POLE 1 GLAND (TERMINATION KIT REQD) |
| 2 | L.V. CABLE BOX 4 POLE 7 GLAND AIR FILLED |
| 3 | TRANSFORMER OIL FILLER COVER PLATE |
| 4 | LIQUID LEVEL GAUGE |
| 5 | JACKING ANGLES |
| 6 | EARTHING TERMINALS ONE EACH SIDE |
| 7 | SKID UNDERBASE C/W HAULAGE HOLES |
| 8 | MAIN LIFTERS |
| 9 | BREATHER PIPE C/W BREATHER |
| 10 | TAPPING SELECTOR CONTROL HANDLE |
| 11 | RATING AND DIAGRAM PLATE |
| 12 | THERMOMETER POCKET |
| 13 | DRAIN VALVE |
| 14 | RADIATORS |

| ESTIMATED WEIGHTS | KG |
|-------------------------|------|
| CORE AND WINDINGS | 2022 |
| COOLING LIQUID 722 LTRS | 618 |
| TOTAL WEIGHT | 3310 |

| | |
|------------------|--------------|
| BOWERS JOB No. | STD |
| BOWERS STOCK No. | |
| OUTPUT | 1000 KVA |
| VOL. TAGE RATIO | 11000 / 433 |
| AMPERES | 52.49 / 1333 |
| PHASES | 3 |
| FREQUENCY | 50Hz |
| VECTOR SYMBOL | Dvnt1 |



This drawing is COPYRIGHT and the property of Bowers Electrical Ltd. It must not be copied (in whole or in part) without prior written consent of the company.

TOLERANCE UNLESS OTHERWISE STATED:
 4.5mm FOR DIMENSIONS UP TO 250mm;
 4.10mm FOR DIMENSIONS UP TO 1000mm;
 4.20mm FOR DIMENSIONS OVER 1000mm.

| Rev/No | Revision note | Date | Signed | Ckd. |
|--------|---------------|------|--------|------|
| | | | | |

Bowers Electrical Ltd
 Heaton Gate Road, DTF5 7GX
 Tel: 01773 531531 Fax: 01773 716171
 Email: enquiries@bowerselec.co.uk

| | | | | | |
|---|------------|-------------|---------------|-----------|-----------|
| Drawn by | Checked by | Approved by | Orig. Job No. | Date | Drw. Size |
| DMESSE | DRESBITT | AS | 1909/17 | 19/09/17 | A2 |
| GENERAL ARRANGEMENT OF 1000KVA OMAN BOWERS BEST TRANSFORMER | | | | | |
| DRG No. BE5338 | | Scale | | Revision | |
| FIRST ANGLE | | 1:20 | | 0 | |
| | | | | Sheet 1/1 | |